

SOLITAIRE

AMENITY LIGHT



FEATURES

- Die-cast aluminium optical assembly, lid, body and arms, thickness 4mm
- Uniform & soft light distribution delivers high visual comfort
- Body designed to prevent fitting from water, dust, & bird droppings etc
- Self-cleaning & tool free entry
- Common mode surge protection 6KV & Customised achievable up to 10KA & 20KA for option.
- Operating Temperature rated at -40°C to 45°C
- 0-10V available upon request.

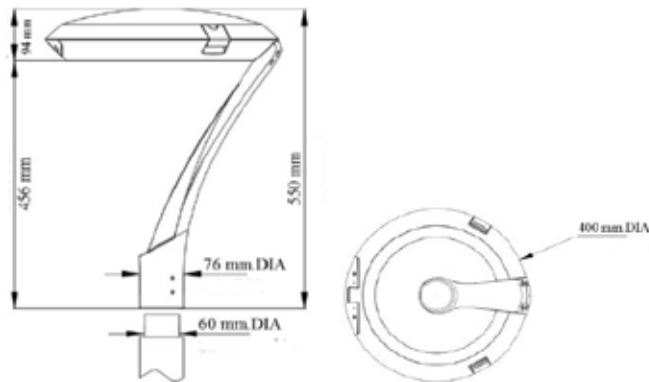
APPLICATION

Outdoor garden & park lighting.

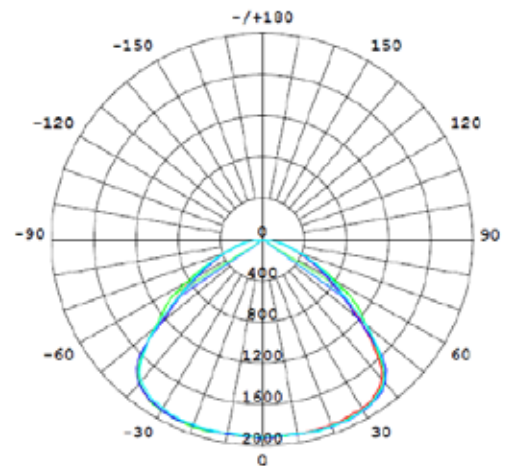


PRODUCT DIMENSION

*Typical Dimension (mm)



PHOTOMETRIC DATA



Model	ELPT-PG1F-A020-3000K	ELPT-PG1F-A035-3000K	ELPT-PG1F-A060-3000K
Power Consumption(W)	20	35	58
Luminaire Flux ± 5% (lm)	1724	3225	4939
Input Voltage (Vac)	120-277		
Input Current (A)	<0.38		<0.57
Power Factor(PF)	≥ 0.90		
Efficiency (%)	≥ 0.86		
THD(%)	<10		
Driving Current ± 5% (mA)	860		1500
Protection Circuit	6		
Net Weight/pc(kg)	8.1		8.2
Gross weight/carton(kg)	11		
Carton Dimension LxWxH(mm)	450x450x655		

Note: The above specified lumen and system subject to changes without prior notice.

Also available colour temperature upon request: 2200K, 2700K, 5000K & 6000K

TECHNICAL SPECIFICATION

ELECTRICAL SYSTEM

Input Voltage	Protection Class	LED Driver
120-277 Vac 50/60Hz PF >0.9	Class I	Constant Current

Light Source	LED Type	(CRI)	Life Time Residual Flux	Optical System
SMD	3030	≥70	(L80), >60,000 hours	Type V

CERTIFICATION & COMPLIANCE TEST

- : IEC 60598-1
- : IEC 60598-2-3
- : IEC 62031
- : IEC/TR 62778
- : IEC 61347-1
- : IEC 61347-2-11
- : IEC 62493
- : IEC 62262

FIXTURE/HOUSING

- Housing: Die-cast Aluminium Housing
- OPAL polycarbonate diffuser

OPTIONAL ACCESSORIES

- 0-10V DALI Dimming Control
- Time Dim & Programmable
- Photocell/ PIR Sensor/ Microwave Sensor
- Wireless control with Zigbee Communication
- 10kA, 20kA SPD