

# TORCH

## AMENITY LIGHT



### FEATURES

- Die-cast aluminium ,external electro-static powder spray,5mm thickness heat-proof silicone rubber gasket & PC diffuser
- High output efficiency up to 100lm/w, Total 50W Power Consumption
- Body designed to prevent fitting from water, dust & bird droppings
- Easy maintenance & Fast installation
- Integral 10KV Surge Protection
- Operating Temperature rated at -25°C to 55°C
- IP66,IK09

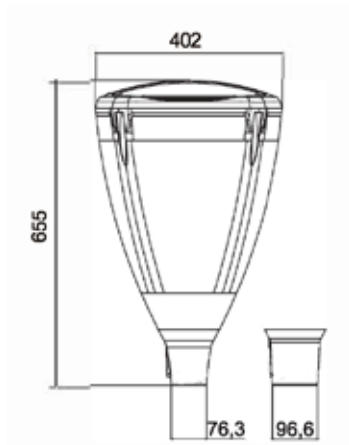


### APPLICATION

Urban roads, landscapes, plaza lighting, park landscape, urban green belt lighting, commercial street, outdoor parking lot, rural road, riverside lighting, lakeside lighting, residential lighting etc.

### PRODUCT DIMENSION

\*Typical Dimension (mm)



Model	ELAP TORCH-BK30W-4000K	ELAP TORCH-BK50W-4000K
Power Consumption(W)	30	50
Luminaire Flux ± 5% (lm)	2979	4966
Input Voltage (Vac)	100-305	
Input Current (A)	<0.38	<0.57
Power Factor(PF)	≥ 0.95	
Efficiency (%)	≥ 0.90	
THD(%)	<10	
Protection Circuit	6	

Note: The above specified lumen and system subject to changes without prior notice.  
 Also available colour temperature upon request: 2700K,3000K & 6500K

**TECHNICAL SPECIFICATION**

**ELECTRICAL SYSTEM**

Input Voltage	Protection Class	LED Driver
100-305 Vac 50/60Hz PF >0.9	Class II	Constant Current

Light Source	LED Type	(CRI)	Life Time Residual Flux	Optical System
SMD	3030	≥80	(L80), >50,000 hours	Symmetrical

**FIXTURE/HOUSING**

- Die cast Aluminium optical assembly, lid, body & arms.
- AISI 304 Stainless Steel Screws
- Housing: Light Grey Dark Grey & Black

**CERTIFICATION & COMPLIANCE TEST**

- : IEC 60598-1
- : IEC 60598-2-3
- : IEC 62493