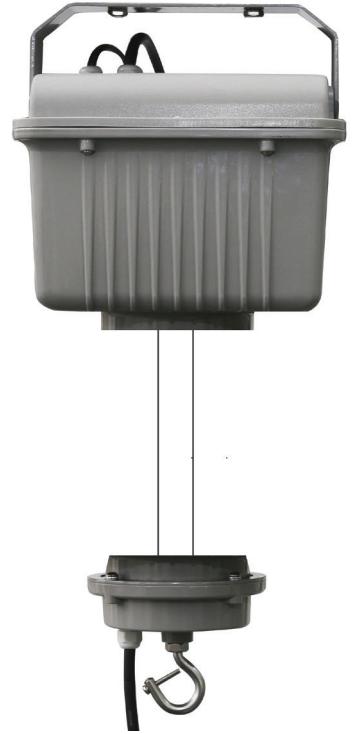
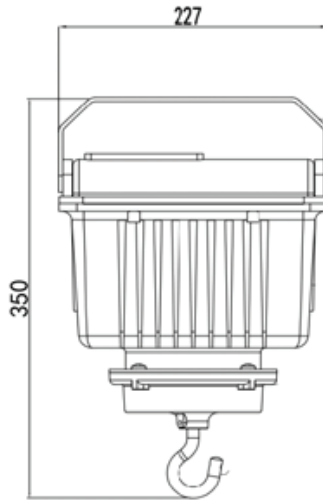


FEATURES

- Automatic Raising & Lowering Device for Highbay Fixtures for easy maintenance.
- Raising & Lowering via remote control or main control panel (*sold separately).
- Available in 15M or 25M lowering heights.

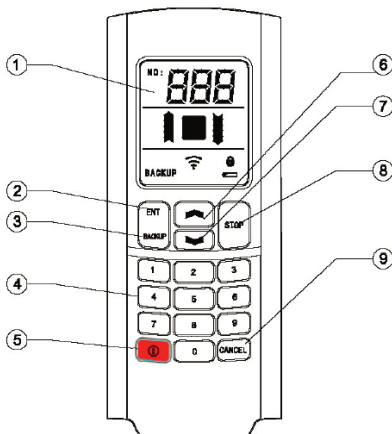
PRODUCT DIMENSION

*Typical Dimension (mm)

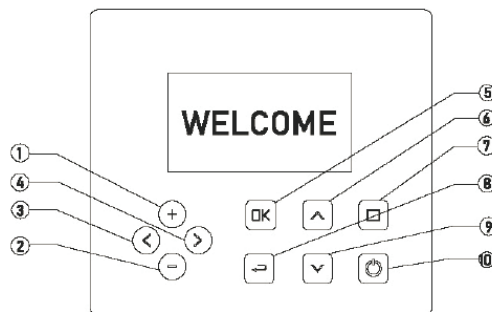


ACCESSORIES

Remote Controller



1. SCREEN
2. [ENTER] ENTER
3. [BACKUP] BACKUP
4. [DIGIT] DIGIT
5. [ON OFF] ON OFF
6. [RAISING] RAISING
7. [LOWERING] LOWERING
8. [STOP] STOP
9. [CANCEL] CANCEL



1. [+] Plus(Digit Control)
2. [-] Minus(Digit Control)
3. [Right Arrow] Right (Digit Control)
4. [Left Arrow] Left(Digit Control)
5. [OK] OK/Enter
6. [Up Arrow] Lifter Raising
7. [STOP] STOP
8. [Retrun] Retrun
9. [Down Arrow] Lifter Lowering
10. [ON OFF] ON OFF(Touch Panel)

Model No.	SAL-1515	SAL-2515
Power Consumption (W)	35	
Input Voltage (V)	220~240	
Raising & Lowering Ht (m)	15	25
Max. Light Fixture Weight (kg)	≤15	
Raising & Lowering Speed	Load 15kg -1.2m/min Load 8kg -2.2m/min	
Remote Control Frequency (MHz)	433	
Range of Remote Control (m)	≤50	
IP Rating	IP54	
Max. Wattage of Load (W)	≤1000	
Remote Control Max Control Number	001-999	
Operating Ambient Temperature	-20°~+50°C	
Touch Panel	Max. 30 unit	
Net Weight(kgs)	5.50	

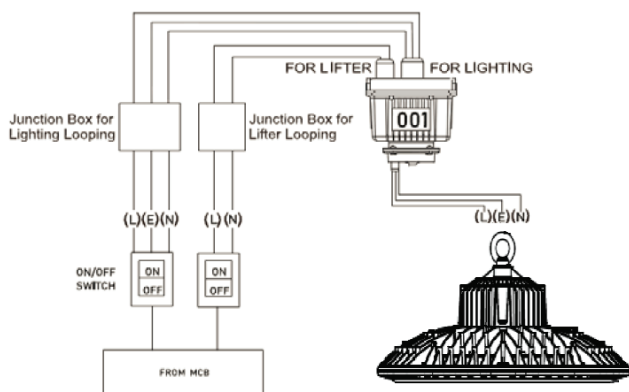
Note: Auto lifter with extra contact for dimming control is available upon request.
SAL-1515-D and SAL-2515-D is complete with extra contact for dimming.

HOUSING

- Wire Rope Type: 304 Stainless Steel Diameter Ø 1.8mm
- Housing: Die Cast Aluminium
- SS Screw

TYPICAL WIRING METHOD

Wiring for Remote Control



Wiring for Remote Control with Panel

