

# PRISM

## AMENITY LIGHT



### FEATURES

- Die-cast aluminium optical assembly, lid, body and arms, thickness 4mm
- High performance optics by Mitsubishi, provides high visual comfort & uniform light distribution
- High output efficiency up to 120 lm/w, Total 60W Power Consumption
- Body designed to prevent fitting from water, dust & bird droppings
- Tool-less opening design
- Easy maintenance & Fast installation
- Replaceable LED Units & Drivers
- Integral 6KV Surge Protection
- No photobiological risk
- Wide range of optics
- Luminaire system operates well in both low & high temperature environments
- Highly efficient thermal system design ensures max. heat transfer & longer LED service life.
- Operating Temperature rated at -40°C to 45°C
- IP66, IK10

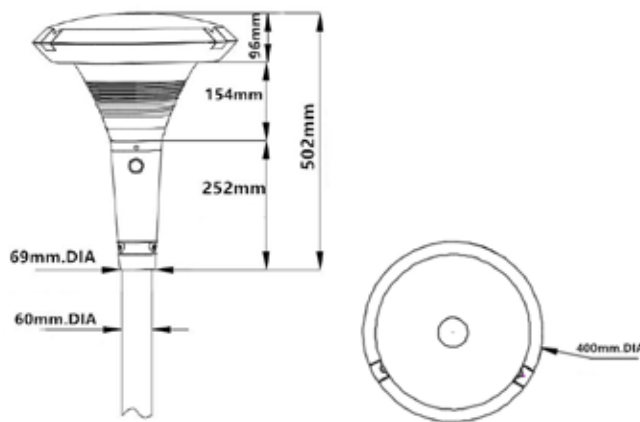


### APPLICATION

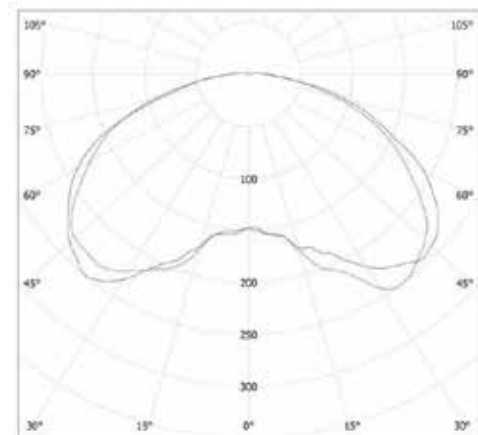
Urban roads, landscapes, plaza lighting, park landscape, urban green belt lighting, commercial street, outdoor parking lot, rural road, riverside lighting, lakeside lighting, residential lighting etc.

### PRODUCT DIMENSION

\*Typical Dimension (mm)



### PHOTOMETRIC DATA



Model No.	Prism 35	Prism 60
Power Consumption (W)	35	60
Luminaire Flux ± 5%(lm) 4000K	3,910	6,818
Input Voltage (Vac)	120-277	
Input Current (A)	<0.38	<0.57
Power Factor (PF)	≥ 0.9	
Efficiency (%)	≥86	
THD (%)	<10	
Driving Current ± 5% (mA)	700	1200
Protection Circuit	6	
Net Weight /pc (kg)	8.1	
Gross Weight (kg)	9.8	
Carton Dimension L x W x H (mm)	450x450x335	

Also available colour temperature upon request: 2200K, 2700K, 3000K, 5000K & 6000K

Note: The above specified lumen and system subject to changes without prior notice.

TECHNICAL SPECIFICATION

ELECTRICAL SYSTEM

Input Voltage	Protection Class	LED Driver
120-277 Vac 50/60Hz PF >0.9	Class I	Constant Current

Light Source	LED Type	(CRI)	Life Time Residual Flux	Optical System
SMD	3030	≥70	(L80), >50,000 hours	Type V

CERTIFICATION & COMPLIANCE TEST

- : IEC 60598-1
- : IEC 60598-2-2
- : IEC 62031
- : IEC/TR 62778
- : IEC 61347-1
- : IEC 61347-2-11
- : IEC 62493
- : IEC 62262

FIXTURE/HOUSING

- ADC 12 Die cast Aluminium optical assembly, lid, body & arms.
- AISI 304 Stainless Steel Screws
- Housing: Silver, Black, Bronze Finish

OPTIONAL ACCESSORIES

- 0-10V DALI Dimming Control
- Time Dim & Programmable
- Photocell/ PIR Sensor/ Microwave Sensor
- Wireless control with Zigbee Communication
- 10kA, 20kA SPD