

# WALLY

---

## WALL LIGHT



### FEATURES

---

- High efficiency LED Wall Light 100 lm/W.
- IP65 protection against moisture and dust.
- Easy and quick installation and maintenance.

### APPLICATION

---

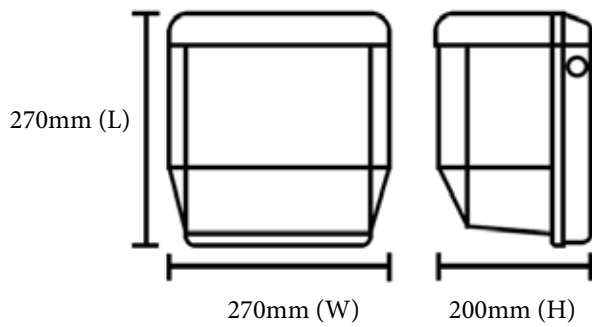
Common applications: Perimeter lighting for warehouse, walkway, corridor & etc.



### PRODUCT DIMENSION

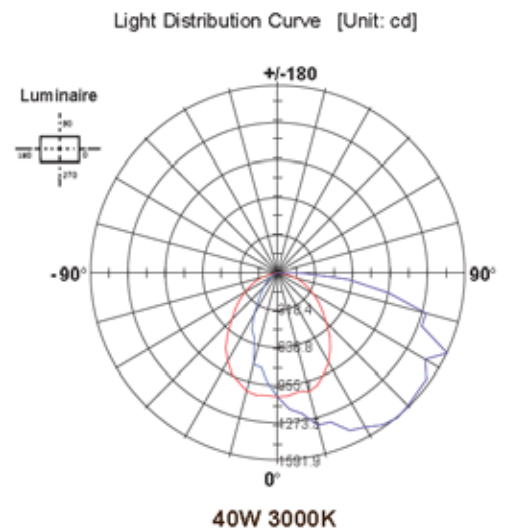
---

\*Typical Dimension (mm)



### PHOTOMETRIC DATA

---



Model No.	Wally 303K	Wally 403K
Power Consumption (W)	30	40
Luminaire Flux ± 5%(lm) 3000K	3,000	4,000
Input Voltage (Vac)	100-240	
Input Current	0.47	0.53
Power Factor (PF)	≥ 0.9	
Efficiency (%)	≥87	
THD (%)	≤23	
Driving Current ± 5% (mA)	900 CC	1200 CC
Protection Circuit	OCP, OVP, SCP- Auto-Recovery	
Net Weight /pc (kg)	2.60	2.65
Gross Weight (kg)	3.0	3.0
Carton Dimension L x W x H (mm)	270x270x200	

Also available colour temperature upon request: 4000K

Note: The above specified lumen and system subject to changes without prior notice.

TECHNICAL SPECIFICATION

ELECTRICAL SYSTEM

Input Voltage	Insulation Class	LED Driver
100-277Vac, 50/60Hz, PF > 0.9	Class 1	Constant current Driver

Light Source	LED Type	(CRI)	Life Time Residual Flux	Optical System
COB	COB	≥80	(L80), >40,000 hours	Internal Aluminium reflector/PC

CERTIFICATION & COMPLIANCE TEST

: IEC 61347-1  
: IEC 6134-2-13

FIXTURE/HOUSING

- Housing: Die-Cast Aluminium
- Diffuser: Opal PC
- Reflector: Aluminium, mirror finish